

AdSTAND™

Stand Out from the Crowd.

AdStand is a unique strategic tool for communication and campaign planning. It has evolved from our "AdBox®" product and was developed to be printed via various methods in any quantity. And, the sturdy base means that it will hold up to in-store use.

AdStand comes in a flat package for optimized distribution. It's lightweight and easy to set up. The double-sided exposure and eye-level height give a maximum impression. The elegant ellipse-shaped graphic AdSleeve brings you a new look. Keep the AdBox and base, only replace the AdSleeve and you have a new display. Choose an oval-shaped base or a round one to best fit your needs.

As a floor-standing or a counter-top display, AdStand always makes your message stand out.



SPECIFICATIONS

Complete AdStand unit, double-sided, incl. black base, white AdBox(es), all connectors required and 1 AdSleeve.

- 45580 AdStand (printed display) w. 2 AdBoxes, 19 11/16" x 70" (50 x 177.8 cm)
- 45585 AdStand (printed display) w. 1 AdBox, 19 11/16" x 34 7/8" (50 x 88.6 cm)
- 45575 AdStand (blank displays), w. 2 AdBoxes & 1 White AdSleeve (unglued), individually packed, carton of 10

Base material: Durable ABS

Graphic panel: Several options dependent on quantity

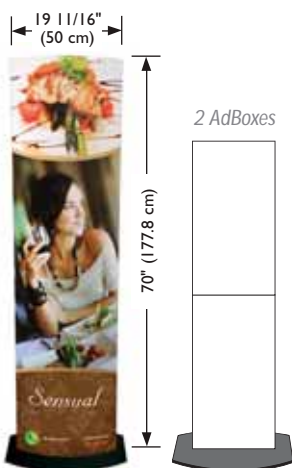
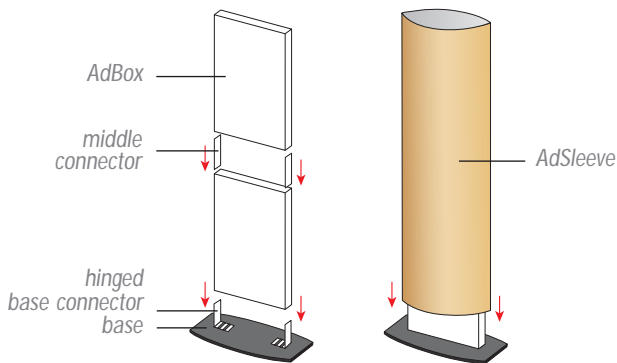
Packaging: Carton box



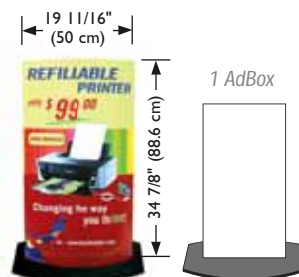
One complete AdStand #45580 ships flat and fits in one carton box 36" x 21" x 2", 9 lbs.

OPTIONAL PARTS & ACCESSORIES

- 45540 Base, Oval, Black, 24" L x 14" W x 0.5" H (61 cm L x 35.6 cm W x 1.3 cm H)
- 45550 Hinged Base Connectors (for #45540 base), set of 2
- 45545 Base, Round, Black / White / Light Grey, diam. 22" (56 cm), w. hinged base connectors attached
- 45552 Middle Connectors, set of 2
- 45535 AdBox, White
- 45576 AdSleeves, White, unglued, set of 5



2 STANDARD SIZES:



OVAL BASE:

24" L x 14" W x 0.5" H
(61 cm L x 35.6 cm W x 1.3 cm H)

ROUND BASE:

Diam. 22" (56 cm), 7/8" (2.2 cm) H