

PODIUMS

A Platform for Greater Sales.

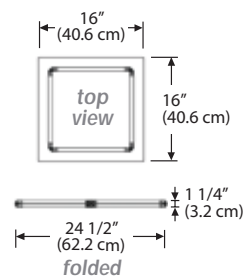
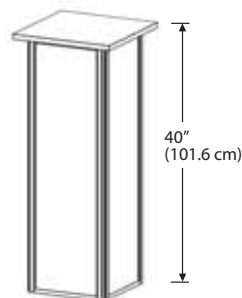
Our series of Podiums are built in the HingeLine System (see pg. 75) that can be folded flat for easy transportation and storage. They are the perfect solution for both temporary and permanent displays. As a standard, Podiums come with top shelf and in-fill panels in vinyl covered board, but a wide variety of materials and colors including graphic panels are available upon request.



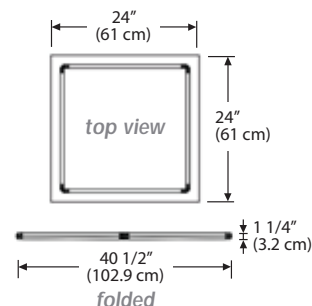
SPECIFICATIONS

Complete aluminum construction built in our HingeLine System for easy folding. Incl. top shelf and in-fill panels in white, grey or black vinyl covered board.

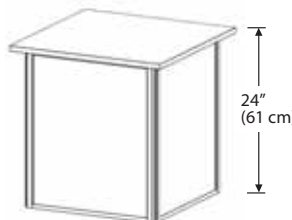
52015 Podium, 16" W x 40" H x 16" D
(40.6 W x 101.6 H x 40.6 D cm), incl. top shelf



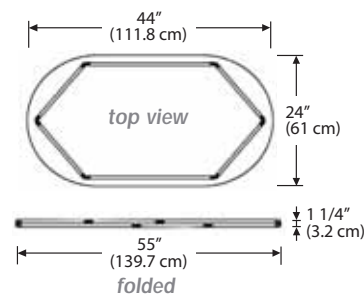
52005 Podium, 24" W x 16" H x 24" D
(61 W x 40.6 H x 61 D cm), incl. top shelf



52010 Podium, 24" W x 24" H x 24" D
(61 W x 61 H x 61 D cm), incl. top shelf



52001 Podium, 44" W x 16" H x 24" D
(111.8 W x 40.6 H x 61 D cm), incl. oval top shelf



PANEL OPTIONS:

Attach graphic panel on front of the extrusion with magnetic tape.

In-fill panel (max. thickness 1/4" / 6 mm) goes into the track of the extrusion.

